

EVE Plus wall base 24V

Installation Manual

basalte

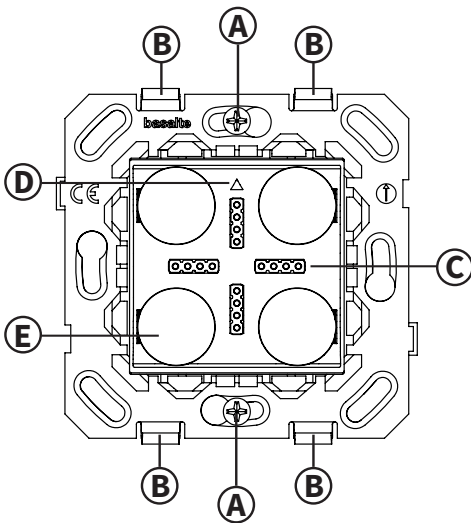
Safety instructions

Before installing the unit, read this manual thoroughly and retain it for future reference.
The device should be installed in compliance with official regulations valid in country of use.
The device may only be installed and connected by qualified electricians.
Ensure that electricity is switched off when installing or unmounting the device.
Do not open, dismantle, alter or modify the device.

Components

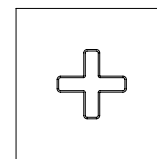
Wall base

0130-01



Eve Plus Cover

(not included)



Model No. 0131-CC

- A Opening to fix the outlet to the wall box
- B Clips to mount the cover plate
- C Charging connector for Eve Plus sleeve
- D This sign up
- E Alligning magnets
- F 24V DC power connector

Wall boxes

The wall base should be installed in European wall boxes with screws.
The distance between the screws needs to be 60mm, and a minimal depth of 45 mm is required.
Square wall boxes size 60 x 60 mm are compatible with the sockets.
Round wall boxes should have an inner diameter of 64mm or more.

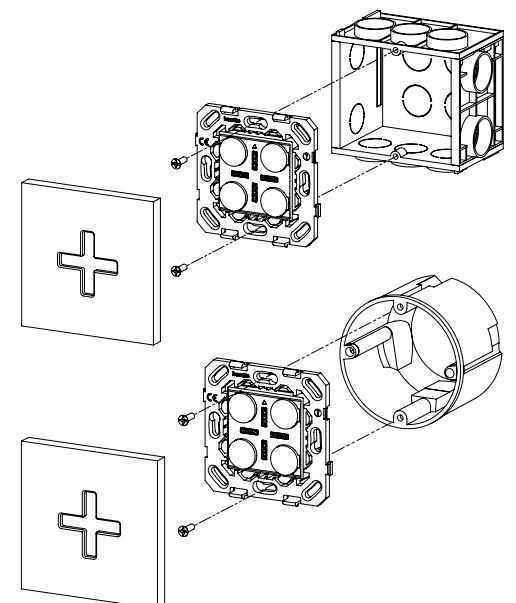
The following round wall boxes are compatible with the Basalte sockets :

- Helia round with cut hole 68 mm (type 247, 261).
- Kaiser round with cut hole 68 mm (type 9063-xx, 9064-xx, 9062-xx).
- Legrand batibox round (ref 080051, 080061, 080052, 080053).
- ABB round Hafobox MD4050 and hollow wall boxes HW-50, HW50-G, HW52-F (Except HW52-F IGD and HW52-F BW).



When using other round boxes, please verify the compatibility upfront.
Do not use following wall boxes:

- Helia O-range
- Kaiser (1055-xx – 1056-xx)
- ABB 3040
- ABB HW52-F IGD and HW52-F BW



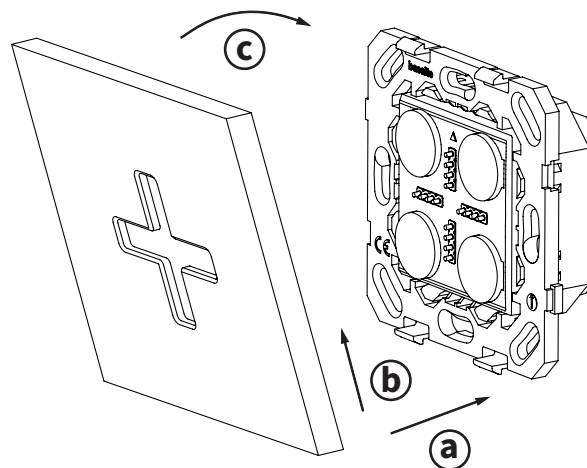
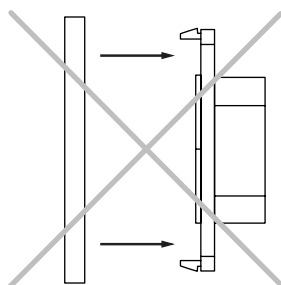
Installation instructions

1. Install square wall box (60mm) or compatible round wall box.
Wall box should have screws with a vertical distance of 60mm and minimal depth of 45mm.
2. Connect the 24V DC power lines using the terminals.
3. Fix the wall base to the wall box with 2 screws using the holes on vertical axis.
4. Mount the cover using the clips (see drawing below).

- A** Place the frame over the lower clips
B Push the frame upwards and tilt towards the wall
C Attach the frame over the top clips



Pushing the frame straight into the clips without pushing upwards and lifting, might damage the wall base.



Cabling

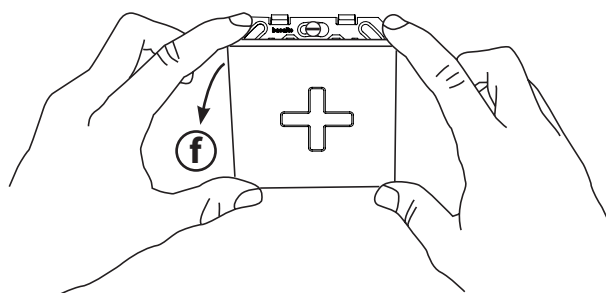
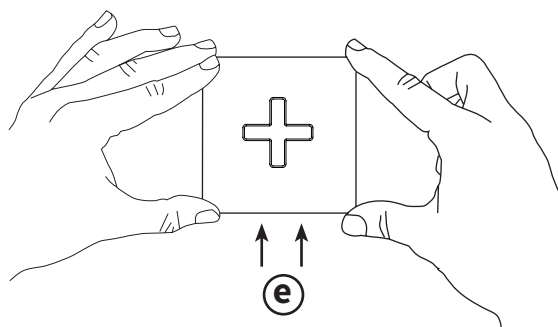
The cable between the DC power supply and wall base must have a cable section of at least 0.8mm² and maximum 1.5mm². The applicable maximum cable lengths are specified both 12V and 24V.

To limit power loss in the cable, we recommend using a star wiring from the power supply to each single wall base. We advise to automatically put the iPad in standby mode when not in use to reduce power consumption.

Maximum cable length between DC power supply and wall base

Cable type	12V DC	24V DC
0.8mm ² (AWG 19)	50m (164ft)	300m (984ft)
1.0mm ² (AWG 18)	60m (197ft)	400m (1312ft)
1.5mm ² (AWG 17)	90m (295ft)	500m (1640ft)

How to remove the Socket front cover (see drawing below)



- E** Push the frame upwards
F Tilt the frame away from the wall

Technical data

Power supply: 10 - 30 V DC

Consumption: Input power 12W

Operating temperature: 0°C - +35°C