

DATASHEET

TBK-BUL4546

MAIN FEATURES

- HD 4 in 1.
- 4MP resolution (2560x1440 at 25FPS).
- 2.8 mm fix lens.
- Sensitivity: 0,01 Lux (F1.2, AGC ON).
- 20 m IR range.
- OSD Menu.
- BLC.
- IP66.

Bullet camera, with 4 megapixels resolution (2560x1440 at 25FPS), at a very competitive price. Fix lens 2,8 mm. HD 4 in 1 technology: switchable video signal output provides TVI/AHD/CVI/CVBS signal.



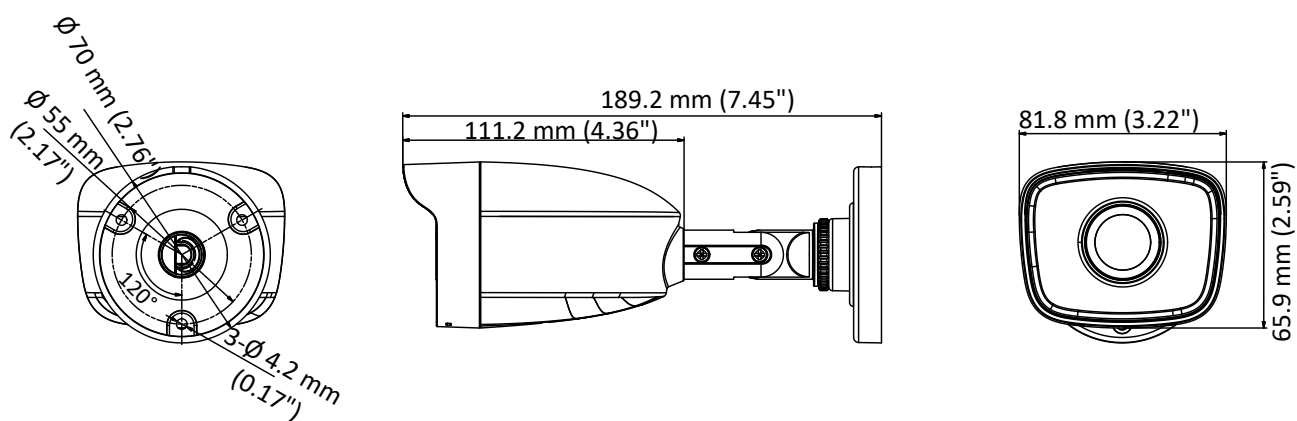


CAMERA	
Image Sensor	4 MP CMOS image sensor
Signal System	PAL/NTSC
Resolution	2560 (H) × 1440 (V)
Min. Illumination	0.01 Lux@(F1.2, AGC ON), 0 Lux with IR
Shutter Time	1/25 (1/30) s to 1/50,000 s
Lens	2.8 mm
Horizontal Field of View	100.2° (2.8 mm)
Lens Mount	M12
Day & Night	IR cut filter
Angle Adjustment	Pan: 0° to 360°, Tilt: 0° to 180°, Rotation: 0° to 360°
Synchronization	Internal synchronization
Video Frame Rate	PAL: 1080p@25fps, 4 MP@25fps NTSC: 1080p@30fps, 4 MP@30fps
MENU	
AGC	High/Medium/Low/Off
D/N Mode	Auto/Color/BW (Black and White)
BLC	Support
DWDR	Support
Language	English
Functions	Brightness, Sharpness, DNR, Mirror, Smart IR
INTERFACE	
Video Output	1 HD analog output
Switch Button	TVI/AHD/CVI/CVBS
GENERAL	
Operating Conditions	-40 °C to 60 °C (-40 °F to 140 °F), Humidity: 90% or less (non-condensation)
Power Supply	12 VDC ±15%
Power Consumption	Max. 4 W
Material	Metal
Protection Level	IP66
IR Range	Up to 20 m
Dimensions	65.9 mm × 189.2 mm × 81.8 mm (2.59" × 7.45" × 3.22")
Weight	290 g (0.64 lb.)



TBK-BUL4546

DIMENSIONS



ACCESSORIES



TBK-364C
Junction box